



Department of Homeland Security

Statewide Interoperable Communications Plan



Department of Homeland Security

Statewide Interoperable Communications Plan



Plan Requirements Overview

- Strategic
- Defined criteria
- All inclusive approach
 - Bottom up process
 - State, local, tribal and federal
- Recommended State Executive Interoperability Committee (SIEC)
- Recommended State Interoperability Coordinator
- First draft due 9/1/07
- Final draft due 11/1/07
- DHS approval required for PSIC grant



Criteria

- 10 defined criteria
 - Background and preliminary steps
 - Strategy
 - Methodology
 - Governance (from interoperability continuum)
 - Technology (from interoperability continuum)
 - SOP's (from interoperability continuum)
 - Training & exercises (from interoperability continuum)
 - Usage (from interoperability continuum)
 - Funding
 - Implementation



Planning Process

- Adopt regional and statewide planning cycles to include
 - Assessment
 - Prioritization
 - Development of strategies
 - Implementation
 - Evaluation and sustainment



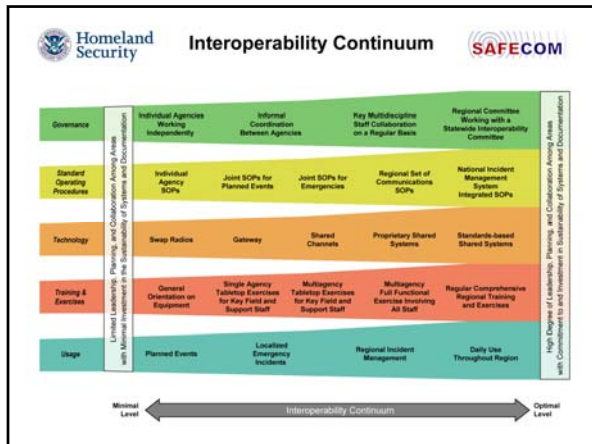
Public Safety Interoperable Communications Grant Program

- 1 billion dollars nationwide
- Funding from analog to digital TV transition spectrum auctions (700 MHz)
- Administered by Department of Commerce and Department of Homeland security
- Guidance and state allocation released in July 2007
- Funding to each state determined by formula
- Up to 5% of funds may be used for planning. Remaining funding can only be used for equipment acquisition and training
- Requires 20% total statewide match, can be cash or in kind from non federal sources. Match can be over 4 annual budget cycles
- 36 month grant performance period
- Statewide plan must be approved by DHS prior to funds availability
- Plan must show connection to 700 MHz frequencies, include tribal nations, volunteer and non profit participation.

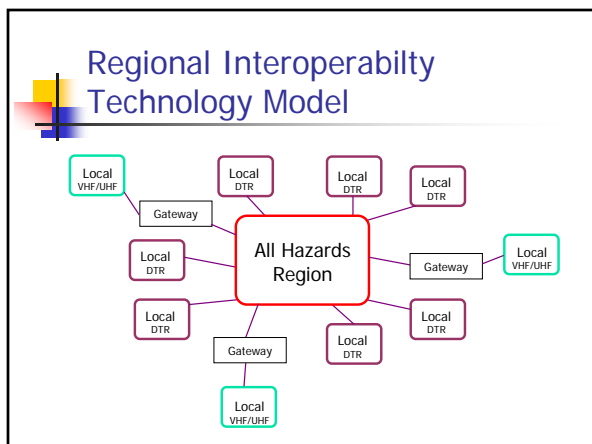


Colorado Overarching Strategy

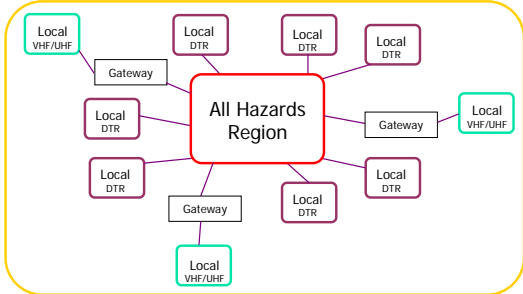
- Adopt Safecom "Interoperability Continuum" Model



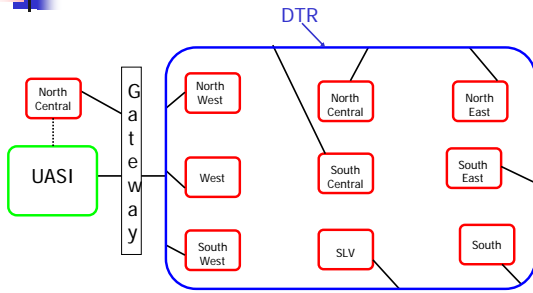
- ### Colorado Overarching Strategy
- Adopt Safecom "Interoperability Continuum" Model
 - Achieve "Optimal" Level on Each of the 5 Elements on the Continuum
 - Network of Networks Using Existing Infrastructures and Investments
 - Provide Migration Strategies and Opportunities
 - Take Advantage of Existing Governance, SOP's and Technology.
 - Significantly Improve the Training, Exercises and Usage Elements



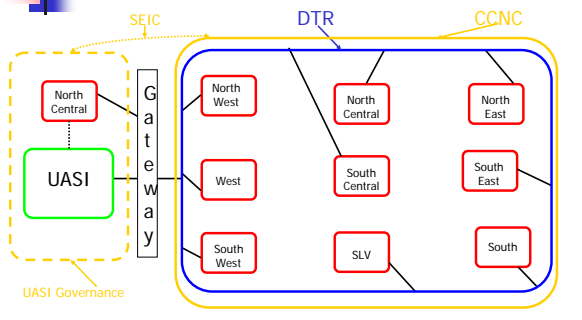
Regional Interoperability Governance Model



Statewide Interoperability Technology Model



Interoperability Statewide Governance Model





Next Steps

- Executive briefings
- Disseminate planning information to stakeholders
- Establish final governance structure
- Establish single point of contact
- Establish planning process and schedule
 - Identify core team responsibilities and resources
 - Identify State agency responsibilities and resources
